

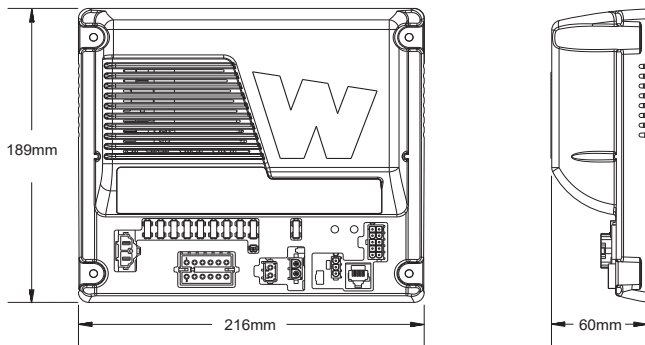
# CONTROL SYSTEMS

## HHS with Uni-Link

**WHELEN**



The innovative HHS Series from Whelen features a redesigned, moulded amplifier housing providing excellent durability. Combined with Woodway's Uni-Link control system, you can benefit from a one button cyclic control in a discreet and simple design. This can be programmed for all user requirements, making it the perfect economical control system.



### Key Features

- 9 Positive switching relay outputs - 8 x 10amp and 1 x 15amp output.
- Steady or flashing.
- 32 Virtual inputs, creating events to include and/or gates for situational awareness.
- Compatible with low or high current products, and lights with built in flashers.
- 200W siren supporting one or two 100W speakers, plus optional PA.
- Windows based Whelen Command software for easy programme configuration.
- LED indicator lights allow for simple troubleshooting of outputs.
- Wail, yelp, piercer and airhorn tones with up to 37 tones.
- 4200 model features WeCan® port for any WeCan® lightbar.
- Single switch operation.
- 999, ARRIVAL and RESET functions.
- Integrated 22mm tri-coloured (green, blue, red) back-lit button.

Product Option	Product Number
HHS with Uni-Link	HHS3200-UNI