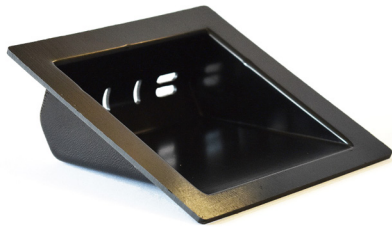


MOUNTING SOLUTIONS

Screen Pods for ION™

Woodway's range of screen pods provide the ability to mount a variety of lightheads to any window without the need for complex mounting brackets. Easily fitted with double sided bonding tape, the pods are secured, these products are designed to eliminate those light bleeds and bounce-backs associated with traditional suction mounted screen pods. Woodway's screen pods are easily adjustable, ensuring that the lighthead is facing the desired direction.

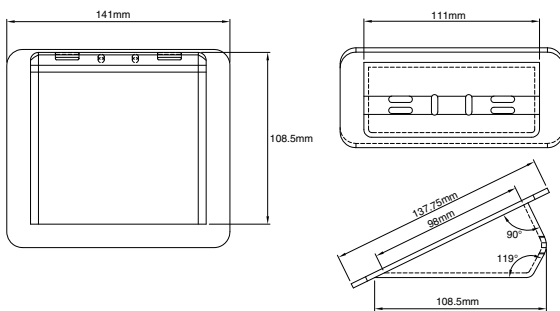


26° for ION™ Series

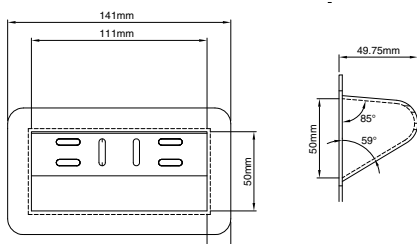


68° for ION™ Series

26° for ION™ Series



68° for ION™ Series



Key Features

- Pods designed to work with ION Universal lightheads
- No mounting brackets required
- Fitted with strong 3M strongest bonding tape for improved adhesion in all conditions
- Quick and easy installation
- Minimal light bleed or bounce-back
- Suitable for all vehicle types
- Discreet, almost invisible when paired with tinted windows
- Designed and manufactured in the UK

Product Option	Product Number
Screen Pod 26° for ION™ Series	ASPB26
Screen Pod 68° for ION™ Series	ASPB68