

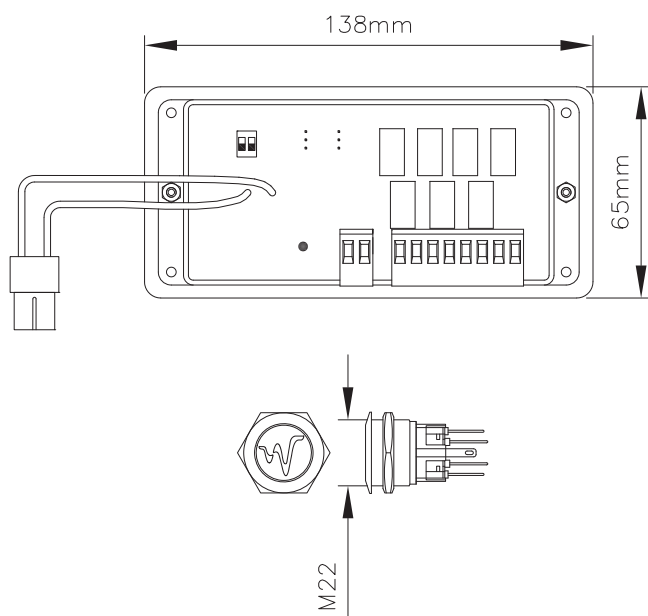
CONTROL SYSTEMS

Uni-Link

WHELEN



The Uni-Link control system is a discreet and simple solution for covert, unmarked and officer car applications. A single button switch offers a non-intrusive install, whilst still including 999, 'Arrival' and 'Reset' functions, with the integrated tri-coloured LED which enables easy recognition for each mode.



Key Features

- Single switch operation
- Tri-coloured (blue, red and green) back-lit button
- Auto sleep-mode enabled when not in use for 30 seconds
- Includes easy to install Uni-Link relay board
- 6 x 5 amp outputs with maximum load of 15 amps
- Board only options
- Also available in as part of a kit with the HHS for extended functionality - see HHS Series product page for further information



Product Option	Product Number
Uni-Link Control System, Full Kit	UNI-LINK