
NIGHT OWL® VISION



MAST SYSTEM

The Night Owl® Vision builds upon the established Night Owl design, which has established a worldwide reputation as the most robust and reliable extending mast system. The versatile retractable roof mounted mast system offers an easily deployable flood lighting solution.

KEY FEATURES

- Extending pneumatic telescopic mast up to 3.22m
- Quick deployment time
- Ideal for all vehicle types
- Roof mounted resulting in minimal vehicle damage
- Constructed from stainless steel for durability
- Integrated 1000 lumens uplighter to identify hazards when raising mast
- Operates from vehicle's own battery system
- Automatic park facility with single and double tap parking
- On-board air regulator and compressor options
- Automatic obstruction sensor with auto stop and lock features
- 350° rotation of mast head, pan and tilt in all directions
- Extremely efficient, high performance LED lights offer high lumen output
- LED lighting benefits from solid state electronics, combined with rugged die cast housing



Voltage



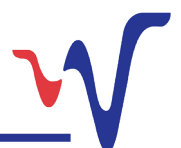
Voltage



Warranty

Benefits Include:

- Constructed from stainless steel ensuring durability even in the most demanding environmental conditions
- Pan and tilt lightheads 350°, both left and right, once deployed.
- Extending mast up to 3.22m, ideal for all vehicle types



LIGHTING CONFIGURATIONS

Woodway's Night Owl® Vision can be fitted with a range of high intensity LED lighting options designed to meet a customer's specific illumination requirements. These include spot, flood and combination lighting with up to 20,000 lumens per light head. Woodway use the Single Pioneer Plus lighthead as standard. Should you wish to use the Dual Pioneer Plus lighthead, please contact Woodway to discuss requirements. Whelen's Super-LED Pioneer™ Plus use innovative optic technology for ultimate reliability and efficiency.

KEY FEATURES

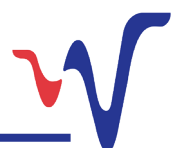
- Instant on/off
- High light efficiency, producing high lumen output
- Lumen Output - Single: 10,130 / Dual: 20,261
- Long life LED operation with low current consumption and operating temperature
- Individual lamp adjustment
- Surface mount solid-state electronics
- Powder coated die-cast housing
- No ultraviolet rays attracting insects during night-time operation
- IP67 rated for dust and water resistance



Benefits Include:

- **High performance** - LED lights are extremely efficient and offer high lumen output/watt
- **Reliable** - We offer a 5 year warranty on all Whelen® illumination lighting
- **Durable** - LED lighting benefits from solid state electronics and this feature, combined with a rugged die cast housing, make these lights ideal for use in the most demanding of working environments
- **Versatile** - Communication equipment and LED beacons in a variety of colours can also be combined with the LED lighting onto Woodway's mast systems

Product Option	Lumens	Lighthead
Pioneer+, 12V Combination	10,130	PCH1
Pioneer+, 12V Dual Combination	20,261	PCH2
Pioneer+, 24V Combination	10,130	PCH14
Pioneer+, 24V Dual Combination	20,261	PCH24
Pioneer+, 12V Floodlight	10,130	PFH1
Pioneer+, 12V Dual Floodlight	20,261	PFH2
Pioneer+, 24V Floodlight	10,130	PFH14
Pioneer+, 24V Dual Floodlight	20,261	PFH24



NIGHT OWL® VISION

HANDSET

The Night Owl® Vision comes complete with a heavy duty handheld controller as standard.

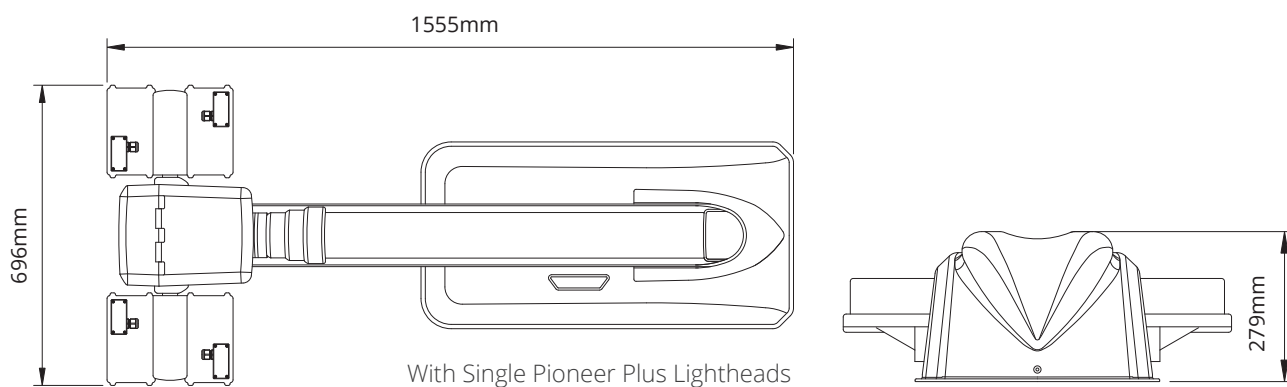


Standard Operator Handset

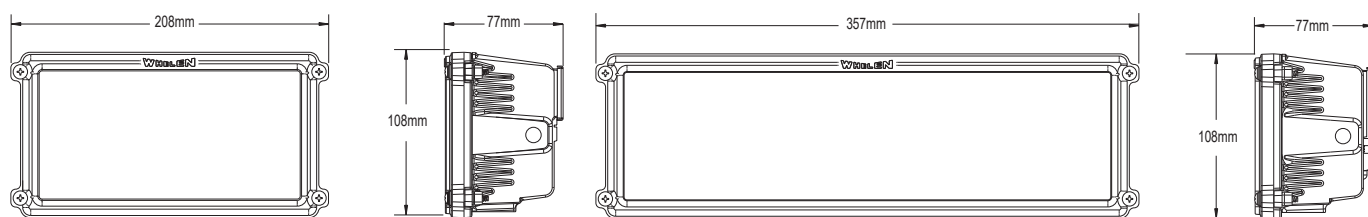
- Heavy duty handheld controller with waterproof switches allows mast functions to be easily operated by a gloved hand
- 3m cable for wired remote handset, and the option for 6m cable
- Momentary action, sealed colour coded push buttons to prevent buttons being accidentally left on
- Single operation mast stowing and partial mast raising

DIMENSIONS

Night Owl® Vision

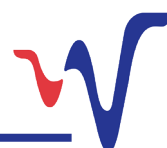


Pioneer™ Plus Lightheads



Single Pioneer Plus

Dual Pioneer Plus



Made in the UK



ISO 9001:2015 Certified



2 Year Warranty

