

NIGHT OWL® CLASSIC



MAST SYSTEM

The Night Owl® Classic uses proven technology and has established a worldwide reputation as the most robust and reliable extending mast system. The versatile retractable roof mounted mast system offers an easily deployable flood lighting solution, with 2 or 4 Pioneer lightheads.

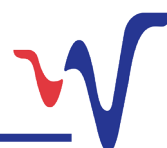
KEY FEATURES

- Extending 2m pneumatic telescopic mast
- Deployment time of 12 seconds to vertical
- Ideal for all vehicle types
- Roof mounted resulting in minimal vehicle damage
- Constructed from stainless steel for durability with waterproof enclosure.
- Surface mounted LED uplighter optional
- Operates from vehicle's own battery system
- Wired handsets available
- Automatic park facility and double tap parking
- On-board air regulator and compressor options
- 350° rotation of mast head
- Extremely efficient, high performance LED lights offer high lumen output
- Light output from a standard two-light Night Owl is 20,260 lumens. The four-light Night Owl offers 40,520 lumen output.
- LED lighting benefits from solid state electronics, combined with rugged die cast housing
- Weight: Approx 54kg
- **NEW** Safety feature - Emergency stop button. Supporting safe maintenance.
- **NEW** Lighting upgrade - Cyclic operation allowing dedicated left lighting, dedicated right lighting, or full lighting function.



Benefits Include:

- Constructed from stainless steel ensuring durability even in the most demanding environmental conditions
- The Night Owl® Classic's slim footprint is ideal for use where roof space is at a premium
- Extending mast up to 2.07m, ideal for all vehicle types



HANDSET

There are multiple handset options for use with the Night Owl® Classic. The mast system comes complete with a heavy duty handheld controller as standard, with the optional addition of a wireless handset.



Standard Operator Handset

- Heavy duty handheld controller with waterproof switches allows mast functions to be easily operated by a gloved hand
- 3m cable for wired remote handset, and the option for 6m cable
- Momentary action, sealed colour coded push buttons to prevent buttons being accidentally left on
- Single operation mast stowing and partial mast raising

LIGHTING CONFIGURATIONS

Woodway's Night Owl® Classic can be fitted with a range of high intensity LED lighting options designed to meet a customers' specific illumination requirements. These include spot, flood and combination lighting with up to 20,000 lumens per light head. Choose a 2 or 4 lighthouse configuration, now with the option of cyclic operation. This allows the option of independent left or right lighting, or complete lighthouse illumination to suit a variety of situations. Woodway use the Single Pioneer Plus lighthouses as standard. *Should you wish to use the Dual Pioneer Plus lighthouses, please contact Woodway to discuss requirements. Whelen's Super-LED Pioneer™ Plus use innovative optic technology for ultimate reliability and efficiency.*

KEY FEATURES

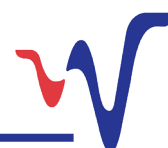
- Instant on/off
- High light efficiency, producing high lumen output
- Long life LED operation with low current consumption and operating temperature
- Individual lamp adjustment
- Surface mount solid-state electronics
- Powder coated die-cast housing
- No ultraviolet rays attracting insects during night-time operation
- IP67 rated for dust and water resistance



Benefits Include:

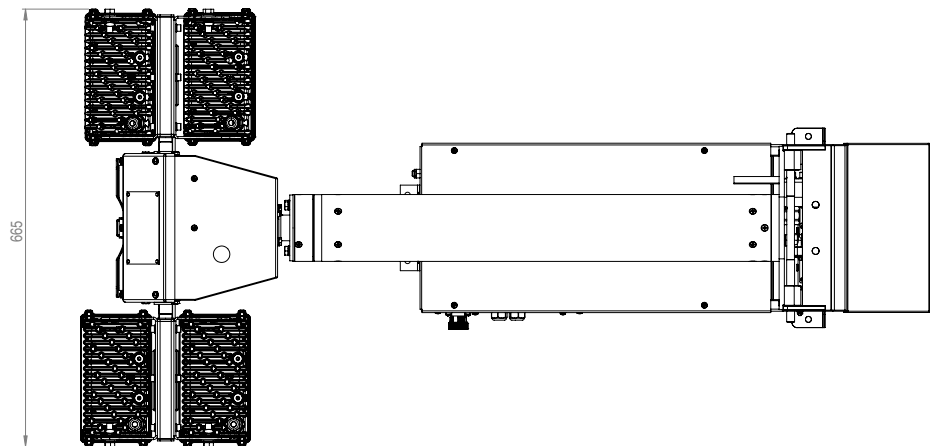
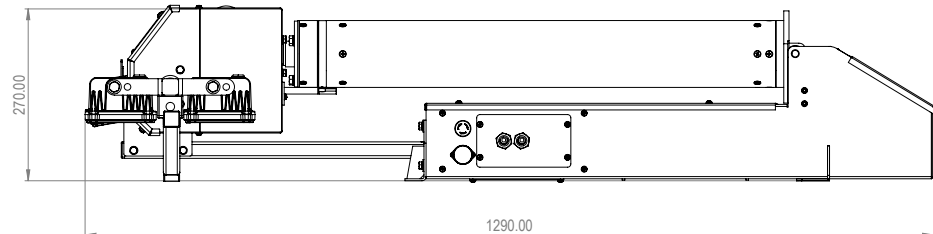
- **High performance** - LED lights are extremely efficient and offer high lumen output/watt
- **Reliable** - We offer a 5 year warranty on all Whelen® illumination lighting
- **Durable** - LED lighting benefits from solid state electronics and this feature, combined with a rugged die cast housing, make these lights ideal for use in the most demanding of working environments
- **Versatile** - Communication equipment and LED beacons in a variety of colours can also be combined with the LED lighting onto Woodway's mast systems

Product Option	Lumens	Lighthouse
Pioneer+, 12V Combination	10,130	PCH1
Pioneer+, 12V Dual Combination	20,261	PCH2
Pioneer+, 24V Combination	10,130	PCH14
Pioneer+, 24V Dual Combination	20,261	PCH24
Pioneer+, 12V Floodlight	10,130	PFH1
Pioneer+, 12V Dual Floodlight	20,261	PFH2
Pioneer+, 24V Floodlight	10,130	PFH14
Pioneer+, 24V Dual Floodlight	20,261	PFH24

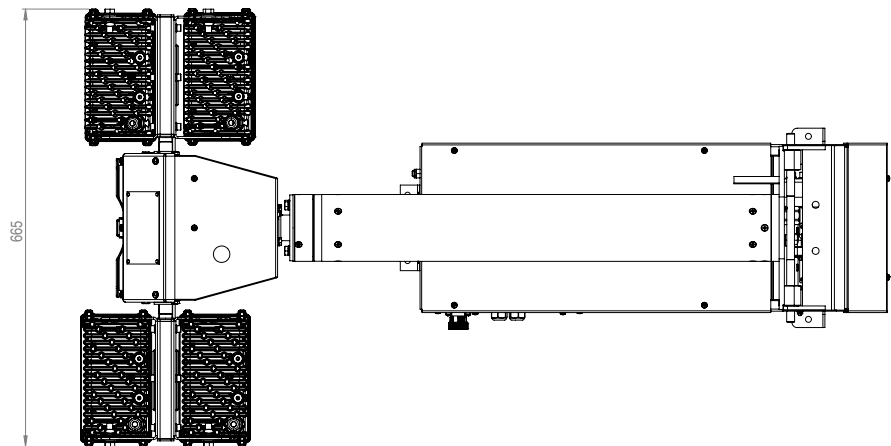
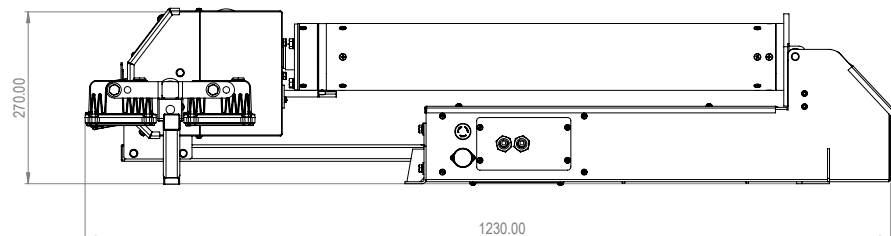


DIMENSIONS With 4 x Single Pioneer Plus Lightheads

Compressor



Air Regulator



Made in the UK



ISO 9001:2015 Certified



Cert No: 173205

2 Year Warranty

