

51 Winthrop Road  
Chester, Connecticut 06412-0684  
Phone: (860) 526-9504  
Fax: (860) 526-4078  
Sales Email: autosale@whelen.com  
Canadian Sales: canadiansales@whelen.com  
Customer Service: custserv@whelen.com

**Safety First:** This document provides all the necessary information to allow your Whelen product to be properly and safely installed. Before beginning the installation and/or operation of your new product, the installation technician and operator must read this manual completely. Important information is contained herein that could prevent serious injury or damage.

- Proper installation of this product requires the installer to have a good understanding of automotive electronics, systems and procedures.
- Whelen Engineering requires the use of waterproof butt splices and/or connectors if that connector could be exposed to moisture.
- Failure to use specified installation parts and/or hardware will void the product warranty!
- If mounting this product requires drilling holes, the installer **MUST** be sure that no vehicle components or other vital parts could be damaged by the drilling process. Check both sides of the mounting surface before drilling begins. Also de-burr any holes and remove any metal shards or remnants. Install grommets into all wire passage holes.
- Do not install this product or route any wires in the deployment area of your air bag. Equipment mounted or located in the air bag deployment area will damage or reduce the effectiveness of the air bag, or become a projectile that could cause serious personal injury or death. Refer to your vehicle owner's manual for the air bag deployment area. The User/Installer assumes full responsibility to determine proper mounting location, based on providing ultimate safety to all passengers inside the vehicle.
- For this product to operate at optimum efficiency, a good electrical connection to chassis ground must be made. The recommended procedure requires the product ground wire to be connected directly to the **NEGATIVE (-)** battery post.
- Do not attempt to activate or control this device in a hazardous driving situation.
- If this product uses a remote device to activate or control this product, make sure that this control is located in an area that allows both the vehicle and the control to be operated safely in any driving condition.
- This product contains either strobe light(s), halogen light(s), high-intensity LEDs or a combination of these lights. Do not stare directly into these lights. Momentary blindness and/or eye damage could result.
- Use only soap and water to clean the outer lens. Use of other chemicals could result in premature lens cracking (crazing) and discoloration. Lenses in this condition have significantly reduced effectiveness and should be replaced immediately. Inspect and operate this product regularly to confirm its proper operation and mounting condition. Do not use a pressure washer to clean this product.
- **WARNING!** All customer supplied wires that connect to the positive (+) terminal of the battery must be sized to supply at least 125% of the maximum operating current and **FUSED** "at the battery" to carry that load. **DO NOT USE CIRCUIT BREAKERS WITH THIS PRODUCT!**
- **FAILURE TO FOLLOW THESE PRECAUTIONS AND INSTRUCTIONS COULD RESULT IN DAMAGE TO THE PRODUCT OR VEHICLE AND/OR SERIOUS INJURY TO YOU AND YOUR PASSENGERS!**

**Mounting (Universal Bracket)**

1. Place the bracket against the mounting surface and mark the two mounting hole locations. **Confirm that no vehicle parts could be damaged by the drilling process.**
  2. Drill two mounting holes sized for a #8 sheet metal screw. A wire passage hole may also be needed. De-burr this hole and install a grommet to protect the wires.
- NOTE:** If you use the VHB tape, remove the protective backing and press it firmly onto the bottom of the bracket. Clean mounting surface with 50/50 mix of isopropyl alcohol and water.
3. Route the wires through the hole in the bracket and through the wire passage hole. Secure the ION™ to the bracket using the hardware provided. Wire as outlined below.

**Mounting (Gripper Bracket)**

1. Apply the protective pads to the bracket in the location shown (side view). Secure the ION™ to the bracket in the same fashion as outlined for the standard bracket.
2. Position the bracket onto the proposed mounting surface as shown. Apply a drop of Loctite 222 to the threads of the #6 - 32 x 1/2" PPHMS provided.
3. Thread screws into underside of bracket and secure bracket to mounting surface.

**Wiring (Note: All switches and fuses are customer supplied):**

**(BLK) Ground** - Extend BLK wire to Chassis Ground.

**(RED) COLOR 1** - Extend RED wire to +12VDC via an SP/ST switch (Fuse at 3 amps).

**(WHT/BLK) COLOR 2** - Extend WHT/BLK wire to +12VDC via an SP/ST switch (3 amp fuse).

**(WHT/IO) Scan-Lock™** - Extend WHT/IO wire to +12VDC via a momentary switch (fused@1A). Refer to the Scan-Lock section for operational information.

**(GREY) SYNC** - To SYNC 2 lighthoods, configure both lighthoods to display the same Phase 1 (Simultaneous) pattern. Turn power off and connect the GREY wire from each lighthood together. Activate the lighthoods and their patterns will be synchronized. To configure 2 lighthoods to alternate their patterns, advance either lighthood to Phase 2 (Alternating) of the current pattern.

**Scan-Lock:**

**Pattern Buffer Note:** This model features 3 pattern buffers; Color 1, Color 2 and Colors 1&2 (activated simultaneously). Each buffer will display its own flash pattern when activated. To change the flash pattern for any of the three pattern buffers, that buffer must be active.

**To advance to next pattern:** Apply +12VDC to WHT/IO wire for less than 1 second and release.

**To cycle back to previous pattern:** Apply +12VDC to WHT/IO wire for over 1 second and release.

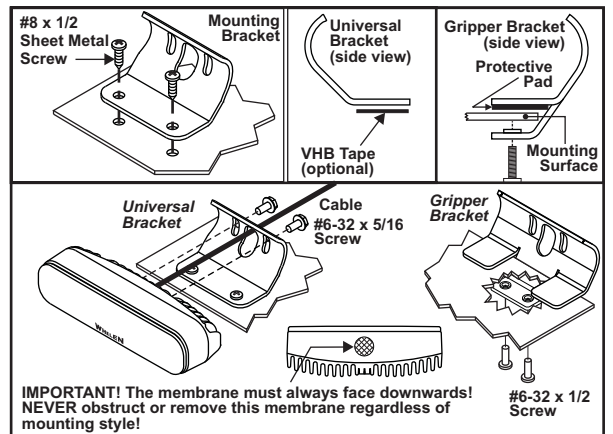
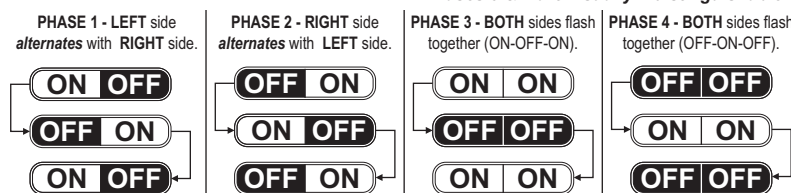
**To change the default pattern:** When the desired pattern is displayed, allow it to run for more than 5 seconds. The lighthood will now display this pattern when initially activated.

**To restore the factory default pattern:** With the light turned off, apply power to the WHT/IO wire. With power applied to the WHT/IO wire, turn light on. Allow the unit to run for 3 seconds before removing power from the WHT/IO wire. This will reset all patterns back to their default settings.

**Pattern #69 (Steady / Steady) Operation:** This is the Override pattern, meaning if either Color 1 or Color 2 is configured to display Pattern #69, the Override pattern will be displayed when Colors 1&2 are activated simultaneously. For example:

If Color 1 is set to Pattern #69, and Color 2 is any other pattern, the Override pattern (Color 1 in this example) will be displayed whenever Colors 1&2 are activated simultaneously.

**Lighthood Operation:**



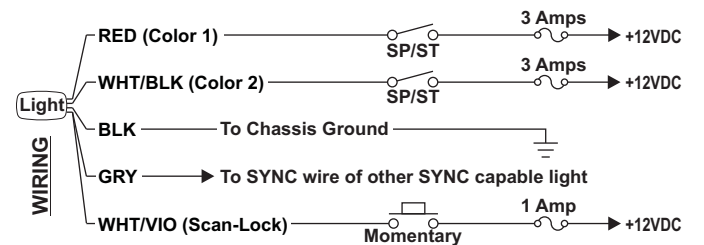
**SYNC Flash Patterns**

1. Signal Alert 75 PH 1
2. Signal Alert 75 PH 2
3. Signal Alert 75 PH 3
4. Signal Alert 75 PH 4
5. CometFlash® 75 PH 1
6. CometFlash® 75 PH 2
7. CometFlash® 75 PH 3
8. CometFlash® 75 PH 4
9. DoubleFlash 75 PH 1
10. DoubleFlash 75 PH 2
11. DoubleFlash 75 PH 3
12. DoubleFlash 75 PH 4
13. SingleFlash 75 PH 1
14. SingleFlash 75 PH 2
15. SingleFlash 75 PH 3
16. SingleFlash 75 PH 4
17. ComAlert™ 75 PH 1
18. ComAlert™ 75 PH 2
19. ComAlert™ 75 PH 3
20. ComAlert™ 75 PH 4
21. LongBurst™ 75 PH 1
22. LongBurst™ 75 PH 2
23. LongBurst™ 75 PH 3
24. LongBurst™ 75 PH 4

**Non-SYNC Flash Patterns**

25. PingPong™ 75 PH 1
26. PingPong™ 75 PH 2
27. PingPong™ 75 PH 3
28. PingPong™ 75 PH 4
29. SingleFlash 60 ALT
30. SingleFlash 60 SIM
31. SingleFlash 90 ALT
32. SingleFlash 90 SIM
33. SingleFlash 120 ALT
34. SingleFlash 120 SIM
35. SingleFlash 300 ALT
36. SingleFlash 300 SIM
37. DoubleFlash 120 ALT
38. DoubleFlash 120 SIM
39. ComAlert™ 150 ALT
40. ComAlert™ 150 SIM
41. PingPong™ 120 ALT
42. PingPong™ 120 SIM
43. TripleFlash™ 75 ALT
44. TripleFlash™ 75 SIM
45. TripleFlash™ 120 ALT
46. TripleFlash™ 120 SIM
47. ActionFlash™ 50 ALT
48. ActionFlash™ 50 SIM

49. ActionFlash™ 150 ALT
  50. ActionFlash™ 150 SIM
  51. CAL SignalAlert™ ALT
  52. CAL SignalAlert™ SIM
  53. Action-SF 60/120 ALT
  54. Action-SF 60/120 SIM
  55. Action-SF 120/TF75 ALT
  56. Action-SF 120/TF75 SIM
  57. CalScan™ ALT
  58. CalScan™ SIM
  59. ModuFlash™ ALT
  60. ModuFlash™ SIM
  61. ActionScan™ ALT
  62. ActionScan™ SIM
  63. CAL CometFlash® ALT
  64. CAL CometFlash® SIM
  65. Steady / Flash 60
  66. Steady / Flash 75
  67. Steady / Flash 90
  68. Steady / Flash 120
  69. Steady / Steady
- ALT = Alternating  
SIM = Simultaneous  
**BOLD = California Title XIII**



Waterproof butt splices and/or connectors are required if that connection could be exposed to moisture. Any unused wires must be sealed (waterproofed) to prevent moisture infiltration.