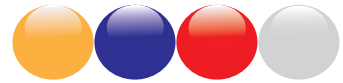


The Micron™ Series is the smallest and most durable Super-LED® lighting product on the market today. At just over 4" wide, these versatile surface mount lightheades are designed to withstand harsh environments and tough applications while providing intense light almost anywhere.



KEY FEATURES:

- Available in single or split colours
- Black surface mount flange included
- 25 Scan-Lock™ flash patterns including steady-burn
- Integrate with other Whelen® products through our synchronise feature
- Directional light pattern
- Supplied with a 6" 4-wire pigtail
- 0.6 Amps average at 12V
- Five-year HDP® Heavy-Duty Professional Warranty



MCRNS

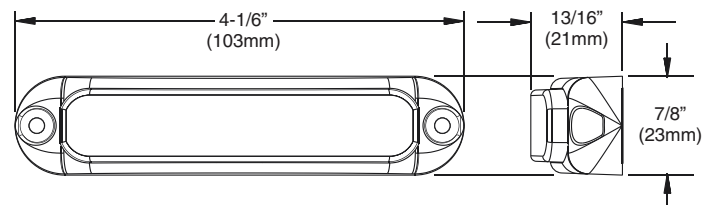
MODEL NUMBERS:

- MCRNS***: Black Flange
- MCRNSK**: Split Amber/Red Lighthead with Black Flange
- MCRNSJ**: Split Blue/Red Lighthead with Black Flange
- MCRNSD**: Split White/Red Lighthead with Black Flange



MCRNSJ

DIMENSIONS



Replace " * " symbol in model number with letter indicating lens colour or LED colour desired: A = Amber; B = Blue; C = White; R = Red

V23™ Series

A compact combination of warning, flood/alley and ground illumination lighting all accomplished with three planes of light using Whelen®'s remarkable "HDO™" (High Definition Optics) technology.



KEY FEATURES:

- 3-in-1 combination light for warning, flood/alley and ground illumination in one remarkably compact surface mount light head.
- Standard models include surface mount flange in Chrome or Black.
- Options include an angled flange mount for mounting on a curved body panel of any vehicle and a pedestal mount for increased mounting adaptability.
- Hard-coated lenses with HDO™ technology for unmatched high-intensity warning.
- Scan-Lock™ flash patterns for the warning segment of this lighthead.
- Warning available in Red, Amber, Blue and White.
- Steady-burn White for flood/alley lighting plus White ground illumination.
- Five-year HDP® Heavy-Duty Professional warranty.

MOUNTING OPTIONS:



Standard Mount



Angled Mount



Pedestal Mount

MODEL NUMBERS:

- V23:**
- V23*TPB:** Combination 180° Warning, Take-Down and Puddle Light

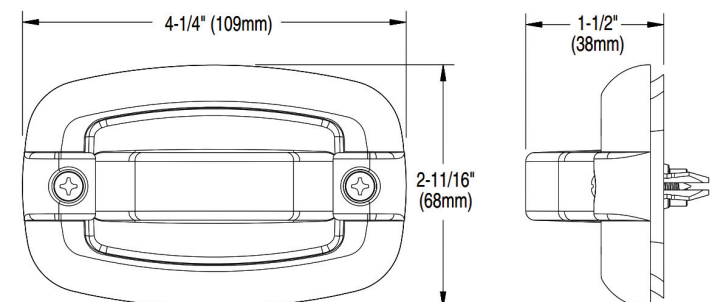
V23 Mounting Options:

- V23P20B:** Angled Surface Mount Housing, Black
- V23PEDB:** Pedestal Mount Kit, Black



V23ATPB

DIMENSIONS



Replace " * " symbol in model number with letter indicating lens colour or LED colour desired: A = Amber; B = Blue; C = White; R = Red